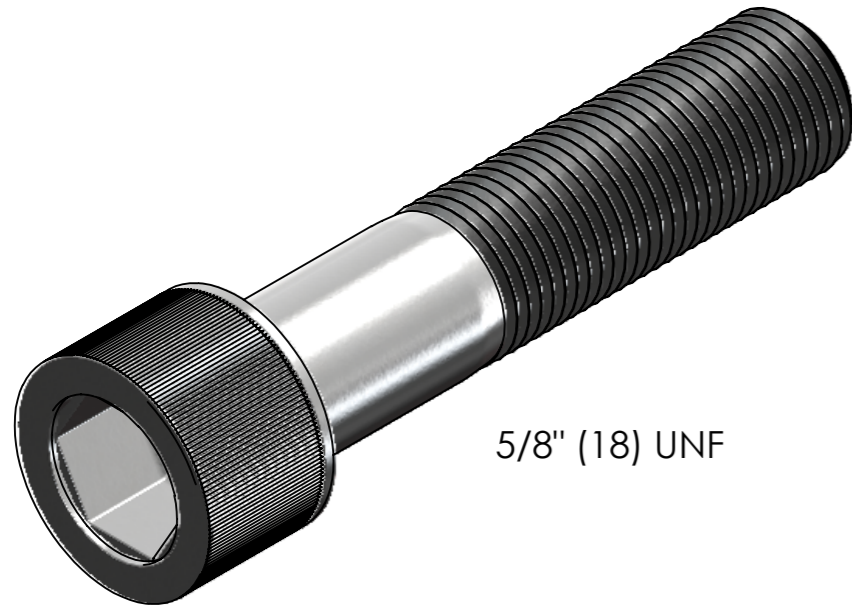
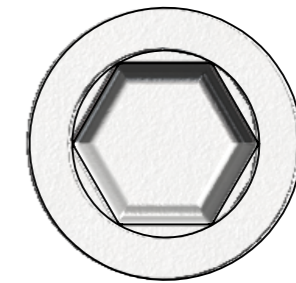
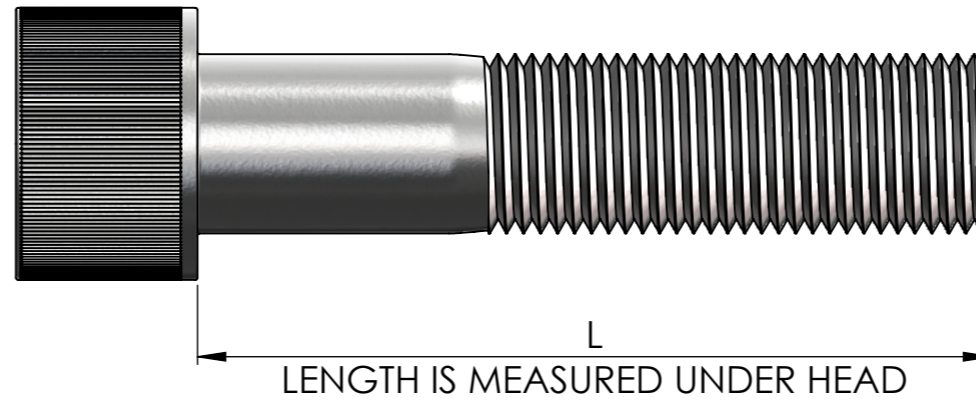


# BLACKTIP BOLT LENGTH REFERENCE GUIDE SUPERTEETH® / BT1100 HOLDERS / H-ST-BLK-CB



5/8" (18) UNF



USE 1/2" ALLEN KEY DRIVE  
TORQUE TO 180-200FT/LBS

WHEEL THICKNESS	REQUIRED BOLT LENGTH	BLACKTIP CODE
1/2" (12.70mm)	2" (50.80mm)	F-BCAP5/8(18)x2
3/4" (19.05mm)	2-1/4" (57.15mm)	F-BCAP5/8(18)x2-1/4
1" (25.40mm)	2-1/2" (63.50mm)	F-BCAP5/8(18)x2-1/2
1-1/8" (28.58mm)	2-3/4" (69.85mm)	F-BCAP5/8(18)x2-3/4
1-1/2" (38.10mm)	3" (76.20mm)	F-BCAP5/8(18)x3