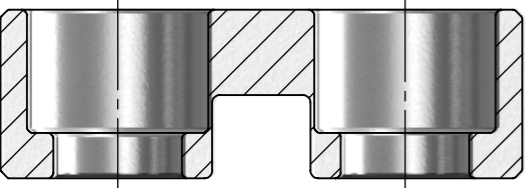
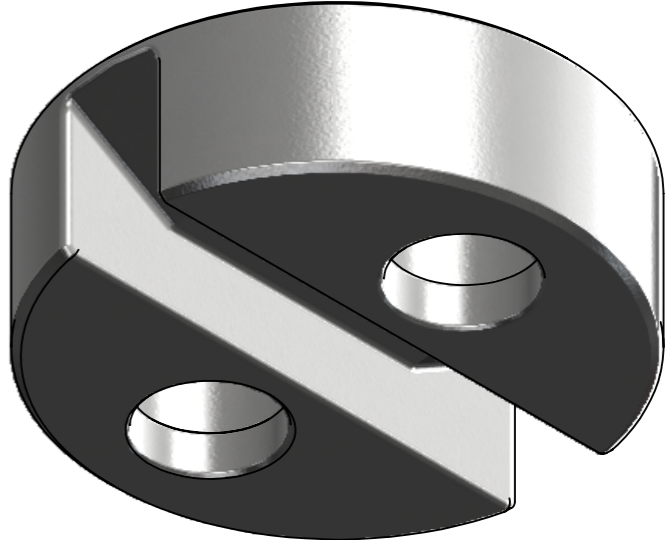
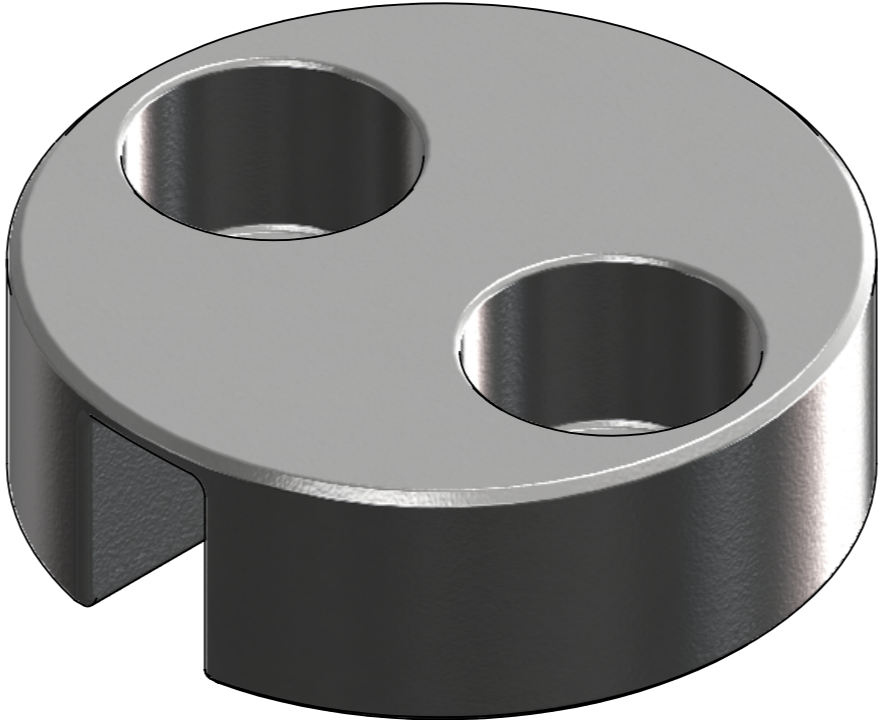
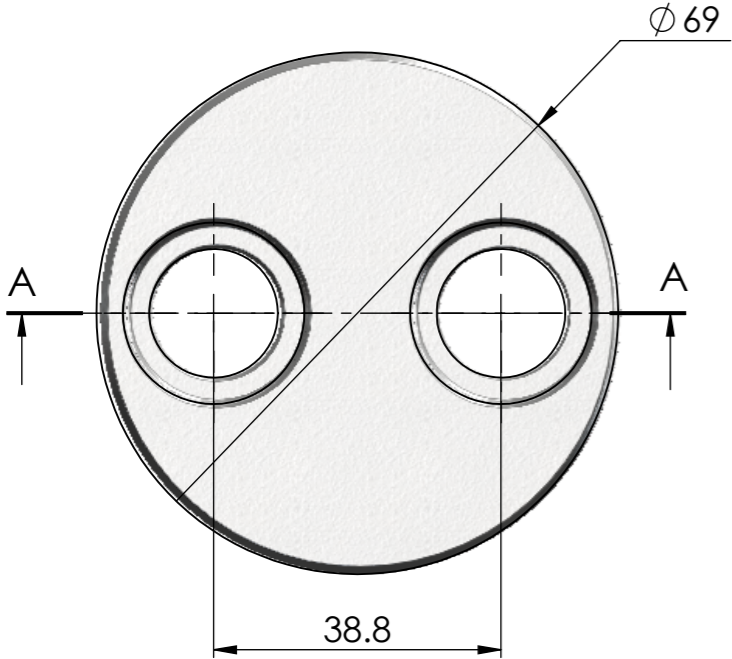


BLACKTIP 1/2" STUMP HOLDER-COUNTER BORE



SECTION A-A

- Drop forged holders for 1/2" finger teeth
- Use our bolt length guide to determine fastners
- Good option for low HP machines



ITEM CODE:	H-ST-BLK-CB
DESCRIPTION:	HOLDER COUNTER SUNK-SUIT 1/2" STUMP INSERT