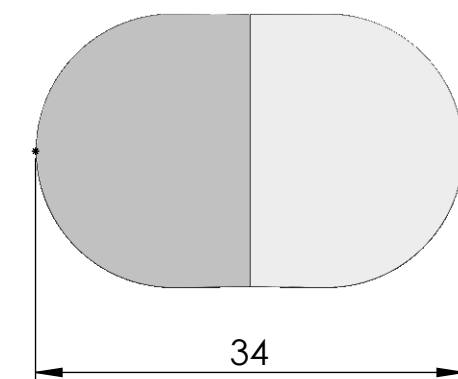
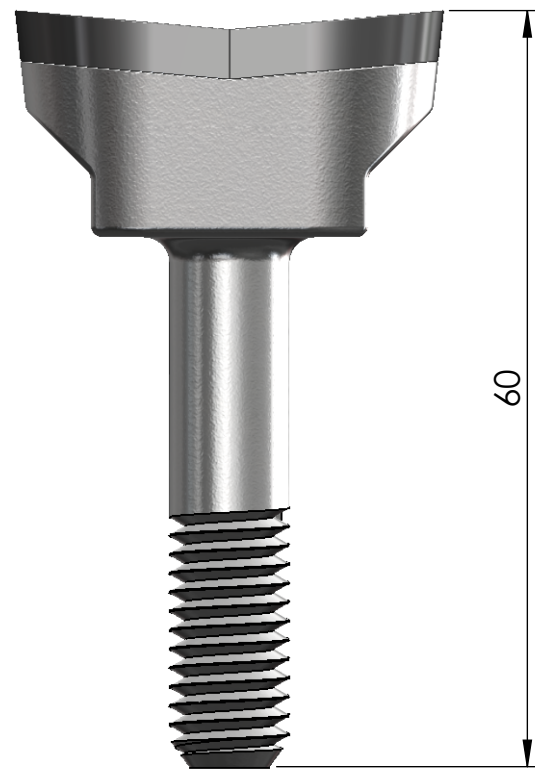


# THE HORNET



- High quality, induction brazed stump insert
- Use 3/8" UNC grade 8 cone nut (F-NCCONE 3/8)
- Suits Vermeer® stump grinders



ITEM CODE:	I-BT HORNET 1
DESCRIPTION:	STUMP INSERT