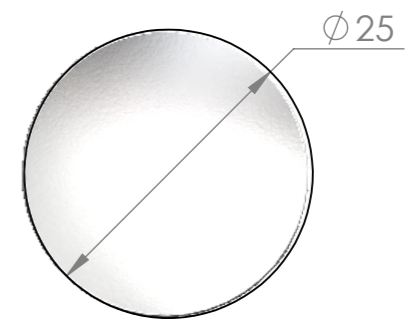
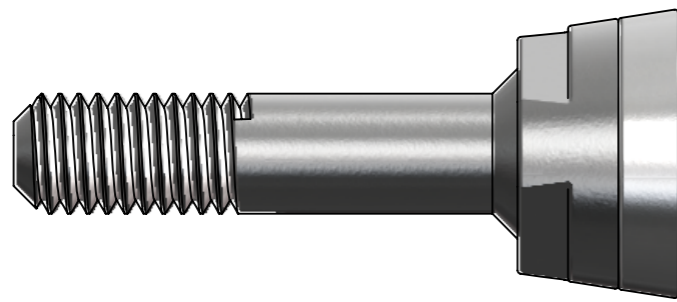
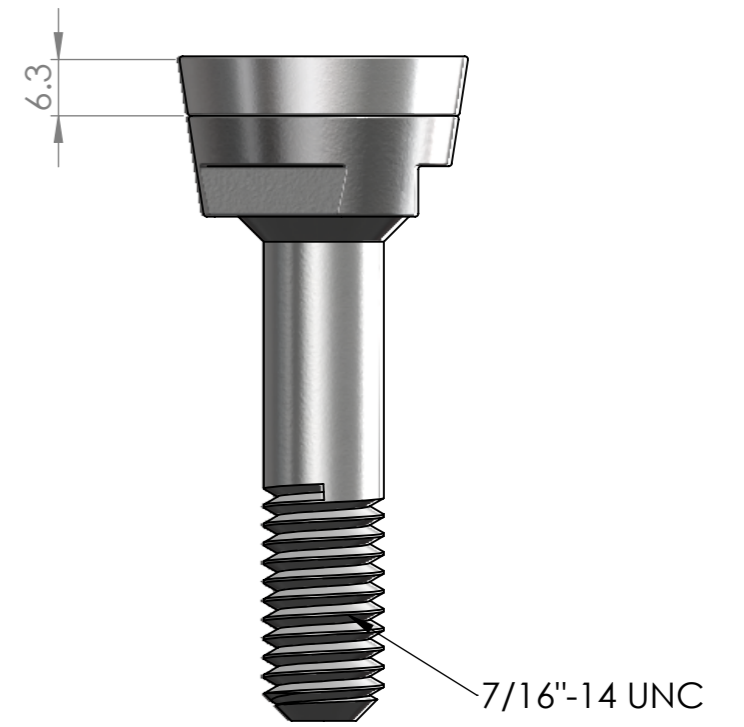
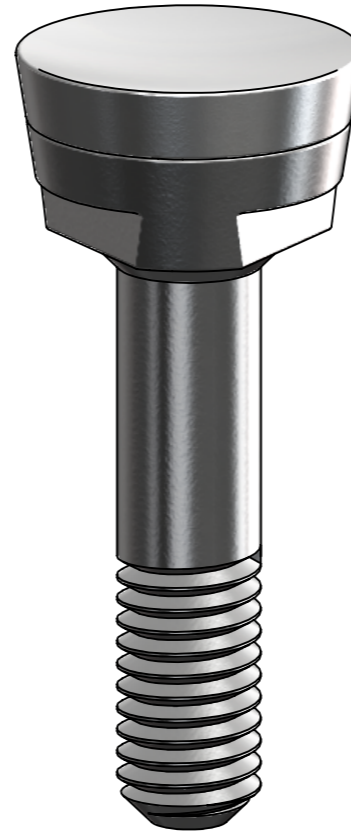
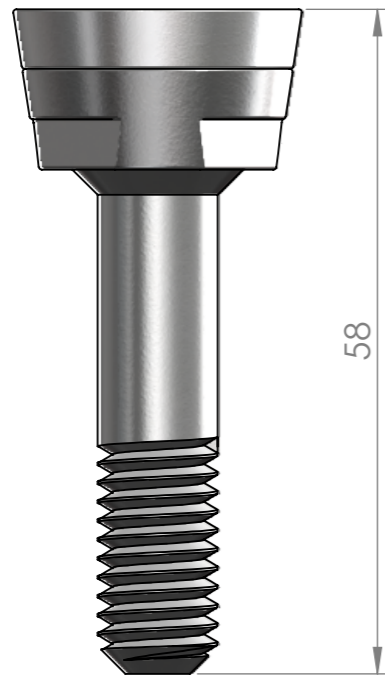


# BLACKTIP 900 TOOTH



- High strength, induction brazed tungsten insert
- Use 7/16" UNC grade 8 cone nut (F-NCCONE 7/16)
- 100% satisfaction guarantee



ITEM CODE:	I-BT 900-T
DESCRIPTION:	STUMP INSERT 58mm x 25mm CUT - 7/16 UNC